

## OpenStand®

### Motorized Optical Stand for Electrophysiology

The OpenStand® is a fully configurable, motorized optical stand that when combined with your optics and accessories creates a complete optical microscope for your optogenetics, physiology, electrophysiology, neuroscience and general imaging applications.

The unit has a compact modular design with 100mm of motorized Z travel and a generic light input for most light guide compatible illuminators.

As one core component in Prior's complete line of physiology products the OpenStand® features:

#### Modular Open Design:

- Uses existing optics
- Basic Unit: reflected light only, flange mount
- Available transmitted light module
- Accepts light guide input, for use with LED, metal halide, halogen and other light guide compatible illumination sources
- Compatible with Prior's complete line of physiology products

#### Compact design leaves plenty of room for:

- Manipulators
- Prior platform stages
- In vivo experimentation devices

#### Motorized focus control with 100 mm of travel:

- From thin prepared samples to whole animal in-vivo imaging
- Digipots for ultra fine Z and optional XY positioning
- Zero current mode eliminates recording noise
- Fast up/down mode for quick focus adjustment

The OpenStand® is designed for today's research with the flexibility to adapt to tomorrow's technology.



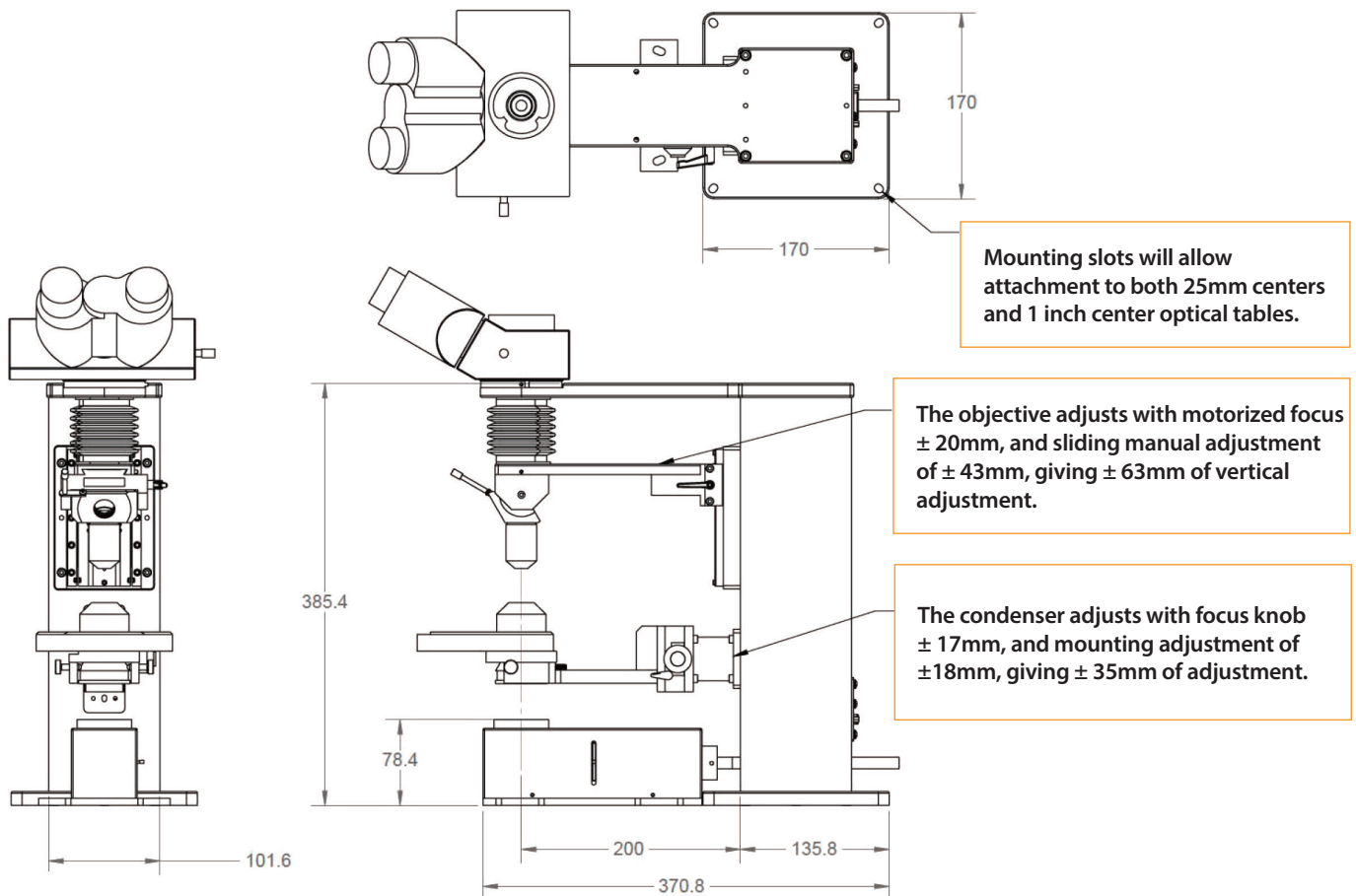
#### GENERAL SPECIFICATIONS:

- Large 200mm throat depth
- Large focus travel simplifies use of dipping objectives
- Modular transmitted light is easily removable - maximizing room below objectives
- 126mm of focus adjustment
- 35mm of condenser adjustment
- Rigid stable design
- Easily customizable
- Large focus travel accommodates a wide variety of samples
- Variants available for different applications

# OpenStand®

Motorized Optical Stand for Electrophysiology

More to Prior than meets the eye



## ORDERING INFORMATION:

PART NUMBER	DESCRIPTION
OSM-TL-VD20	Openstand® with motorized XY translation stage and adjustable height fixed plate for manipulators and samples.
OS-TL-ZD	Fixed Openstand® with large oversized platform for multiple manipulators and sample
OSM-TL-3P20	Openstand® with motorized XY translation stage and fixed rigid post mounts for manipulators and samples.
OS-TL-3P12M	Fixed Openstand® with adjustable height rigid post mounts on motorized platform for manipulators and sample.

## WORLDWIDE DISTRIBUTION



**Prior Scientific Ltd**  
Cambridge • UK

t: +44 (0)1223 881711  
e: uksales@prior.com



**Prior Scientific Inc**  
Rockland • MA • USA

t: +1 781-878-8442  
e: info@prior.com



**Prior Scientific GmbH**  
Jena • Germany

t: +49 (0) 3641 675 650  
e: jena@prior.com



**Prior Scientific KK**  
Tokyo • Japan

t: +81-3-5652-8831  
e: info-japan@prior.com