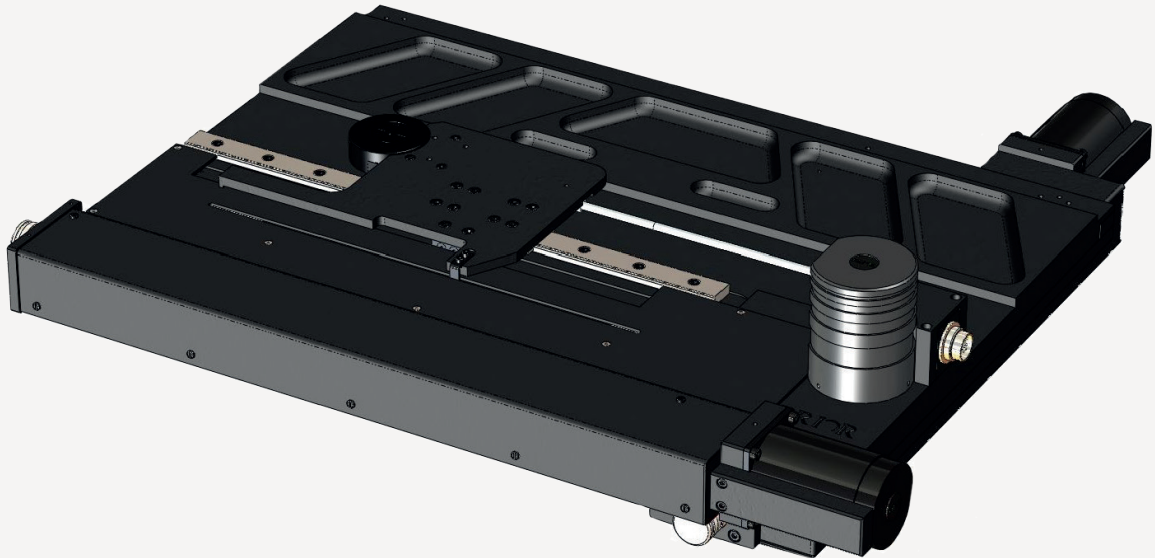


H116SPN

Motorised semi-conductor wafer inspection shuttle stage for Nikon wafer handling systems



The Prior Scientific motorised shuttle stage is designed to be used for wafer inspection, using the Nikon NWL200 and NWL860 wafer handling systems. The stage also reduces operator error and fatigue whilst increasing the rate at which wafers are inspected.

The H116SPN automatically loads and unloads wafers. When operating the shuttle system automatically moves to the correct load position and activates the loader switch, notifying the loader that the wafer chuck is ready to receiving the wafer. After transfer to the shuttle the shuttle is retracted allowing for inspection. Either a manual inspection process using a joystick, or a pre programmed inspection pattern, are possible.

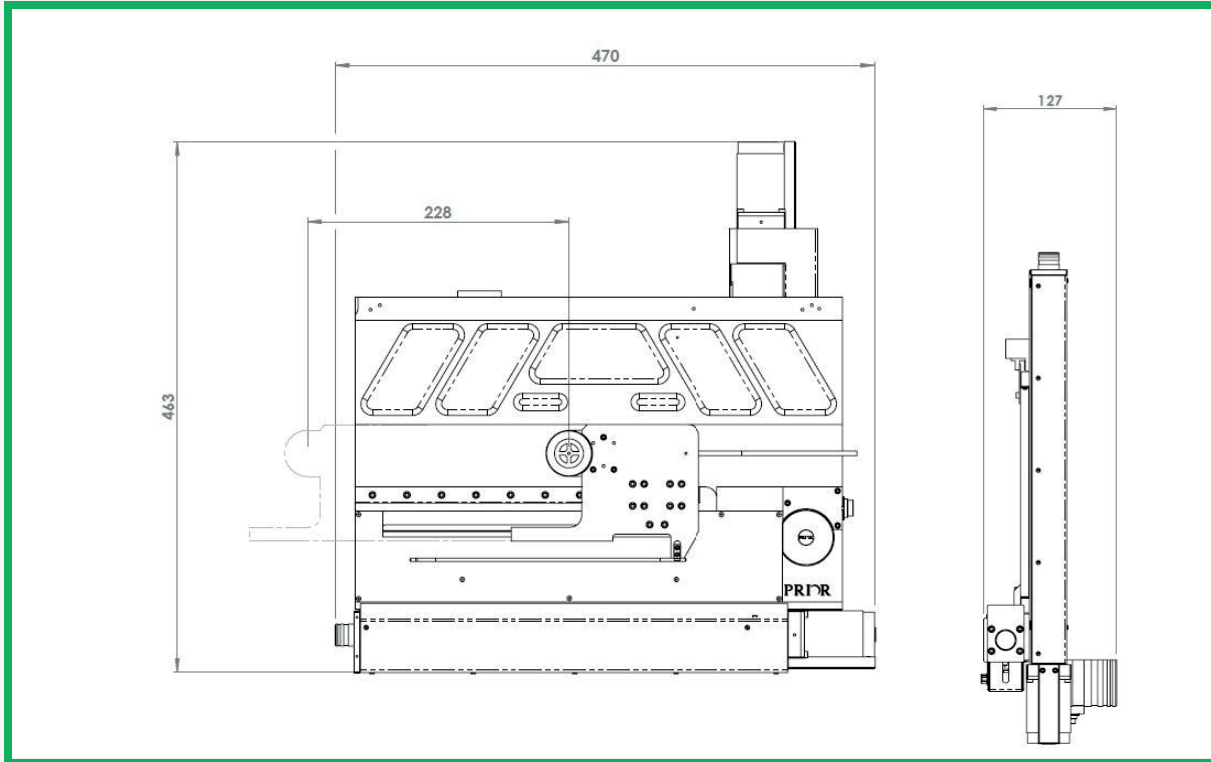
The H116SPN has a large travel range coupled with superb repeatability and resolution. When used in conjunction with Prior's ProScan® system, it ensures accuracy, precision and ultimately a more effective and efficient wafer inspection process.

- Travel range of 250 x 210 mm
- Resolution of 0.04 μm
- Repeatability $\pm 0.2 \mu\text{m}$
- Automatically loads and unloads wafers
- Compatible with the ProScan III system and Nikon NWL200/NWL860 wafer handling systems

H116SPN

Motorised semi-conductor wafer inspection shuttle stage for Nikon wafer handling systems

Dimensions



Specification*

Feature	Specification
Bi-directional repeatability	± 1.3 µm
Uni-directional repeatability	± 0.2 µm
Minimum step size (resolution)	0.04 µm
Recommended speed	40 mm/s
Maximum travel range	250 x 210 mm
Ball Screw pitch	2 mm
Motor Type	200 SPR
Weight	9 Kg

* To obtain these values requires the use of a Prior ProScan II or above controller.
Using the Prior method of testing with backlash correction enabled.
All repeatability is uni-directional.

Worldwide distribution

Prior Scientific Ltd
Cambridge, UK
T. +44 (0) 1223 881 711
E. uksales@prior.com

Prior Scientific Inc
Rockland, MA USA
T. +1 781-878-8442
E. info@prior.com

Prior Scientific GmbH
Jena, Germany
T. +49 (0) 3641 675 650
E. jena@prior.com

Prior Scientific KK
Tokyo, Japan
T. +81-3-5652-8831
E. info-japan@prior.com